

Heavy duty pneumatic toggle clamps with magnetic piston

SPECIFICATION

Type

- Type **EPV**: solid clamping arm

Coding

- Coding **M**: Magnetic piston

Body

cast steel
black lacquered

other parts

Steel St 60
zinc plated, blue passivated

Bearing pins

case-hardened

Double-action air cylinder
with adjustable cushioning
max. pressure 6 bar

All moving parts

lubricated with special grease



INFORMATION

GN 863 heavy duty pneumatic toggle clamps have been constructed in such a way as to make them easy to unmount: The bearing pins are axially fixed with circlips. This allows the clamping arm to be modified once it is dismantled, to suit any particular application.

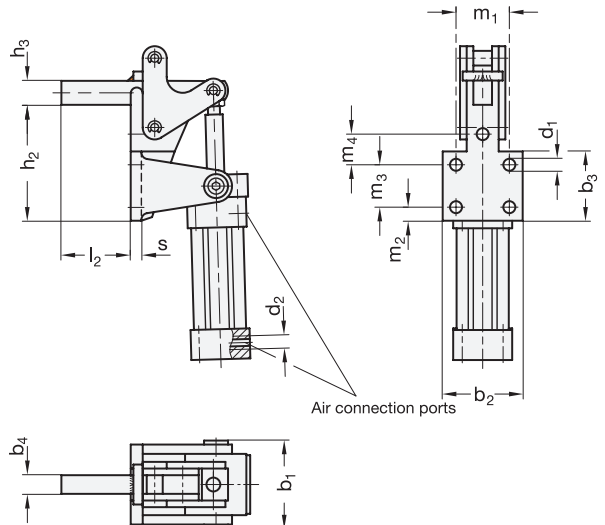
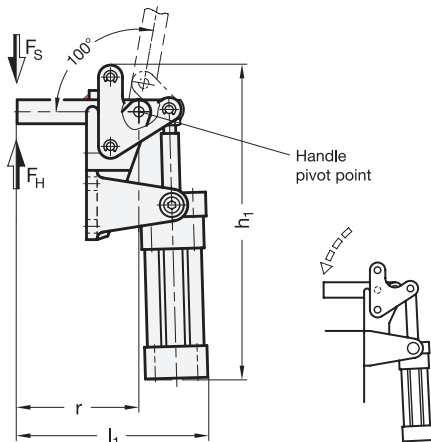
To ensure an extended life of the mechanical parts as well as the air cylinder the operating pressure should not exceed 6 bar. In addition a lubrication control unit should be fitted in the air line.

GN 863 pneumatic toggle clamps are available as version M (magnetic piston). In conjunction with a GN 896.3 (see page 1622) proximity switch the piston position is sensed and the generated signal can be used in sequence control systems.

- General information for toggle clamps (see page 1560)

ACCESSORY

- GN 896.3 proximity switch (see page 1622)



GN 863

Description	Size	FH in N	F _S in N	b ₁ ≈ b ₂	b ₃	b ₄	d ₁	d ₂	Inside Ø connection tube	h ₁ ≈	h ₂	h ₃	l ₁ ≈	l ₂ ≈	m ₁	m ₂	m ₃	m ₄	r	s	⚖	
GN 863-1000-EPV-M	1000	10000	3250	102	90	80	20	10.5	G 1/4	8	355	132.5	25	217.5	80	50	12.5	50	-	144	13	5500
GN 863-2000-EPV-M	2000	20000	5600	112	100	90	20	12.5	G 3/8	10	425	161	35	246.5	100	54	12.5	58	45	168.5	14	8355